

# INTERLOCKING NAIL FOR TIBIA SURGICAL TECHNIQUE

Doc. No.	Issue No/Rev No	Dated	Page No
YIPL/NL/06	01/00	27/01/2020	Page 1 of 20

## Index

---


Index.....	2
1. Description of surgical technique.....	3
2. Feature & Benefits.....	4
3. AO Principle.....	5
4. Indications .....	6
5. Intended Purpose .....	7
6. Contraindications .....	8
7. Surgical Steps.....	9
8. Implant Removal.....	12
9. Caution.....	13
10. Disposal of Implants .....	14
11. Packaging Material Disposal.....	15
12. MRI Information.....	16
13. Note.....	17


Doc. No.	Issue No/Rev No	Dated	Page No
YIPL/NL/06	01/00	27/01/2020	Page 2 of 20

# 1. Description of surgical technique

**Name of technique:** Interlocking Nail for tibia

**Description:** The device is available in SS316L and Titanium Grade 5 material

<p><b>INTERLOCKING NAIL FOR TIBIA</b> <span style="float: right;">1601</span></p>  <table style="width: 100%; margin-top: 20px;"> <thead> <tr> <th></th> <th style="text-align: center;">Dia</th> <th style="text-align: center;">-</th> <th style="text-align: center;">Length</th> </tr> </thead> <tbody> <tr> <td>1601.828-838</td> <td style="text-align: center;">8MM</td> <td style="text-align: center;">-</td> <td style="text-align: center;">280MM To 380MM</td> </tr> <tr> <td>1601.928-938</td> <td style="text-align: center;">9MM</td> <td style="text-align: center;">-</td> <td style="text-align: center;">280MM To 380MM</td> </tr> <tr> <td>1601.1028-1038</td> <td style="text-align: center;">10MM</td> <td style="text-align: center;">-</td> <td style="text-align: center;">280MM To 380MM</td> </tr> <tr> <td colspan="4" style="text-align: center;">( Difference of 10MM each )</td> </tr> <tr> <td colspan="4">11MM &amp; ODD SIZES ARE ON 'ORDER TO MAKE BASIS'</td> </tr> </tbody> </table>		Dia	-	Length	1601.828-838	8MM	-	280MM To 380MM	1601.928-938	9MM	-	280MM To 380MM	1601.1028-1038	10MM	-	280MM To 380MM	( Difference of 10MM each )				11MM & ODD SIZES ARE ON 'ORDER TO MAKE BASIS'				<p><b>DISTAL TIBIA NAIL - CANNULATED</b> <span style="float: right;">1620</span></p>  <table style="width: 100%; margin-top: 20px;"> <thead> <tr> <th></th> <th style="text-align: center;">Dia</th> <th style="text-align: center;">-</th> <th style="text-align: center;">Length</th> </tr> </thead> <tbody> <tr> <td>1620.828-838</td> <td style="text-align: center;">8MM</td> <td style="text-align: center;">-</td> <td style="text-align: center;">280MM To 380MM</td> </tr> <tr> <td>1620.928-938</td> <td style="text-align: center;">9MM</td> <td style="text-align: center;">-</td> <td style="text-align: center;">280MM To 380MM</td> </tr> <tr> <td>1620.1028-1038</td> <td style="text-align: center;">10MM</td> <td style="text-align: center;">-</td> <td style="text-align: center;">280MM To 380MM</td> </tr> <tr> <td colspan="4" style="text-align: center;">( Difference of 10MM each )</td> </tr> <tr> <td colspan="4">11MM &amp; ODD SIZES ARE ON 'ORDER TO MAKE BASIS'</td> </tr> </tbody> </table>		Dia	-	Length	1620.828-838	8MM	-	280MM To 380MM	1620.928-938	9MM	-	280MM To 380MM	1620.1028-1038	10MM	-	280MM To 380MM	( Difference of 10MM each )				11MM & ODD SIZES ARE ON 'ORDER TO MAKE BASIS'			
	Dia	-	Length																																														
1601.828-838	8MM	-	280MM To 380MM																																														
1601.928-938	9MM	-	280MM To 380MM																																														
1601.1028-1038	10MM	-	280MM To 380MM																																														
( Difference of 10MM each )																																																	
11MM & ODD SIZES ARE ON 'ORDER TO MAKE BASIS'																																																	
	Dia	-	Length																																														
1620.828-838	8MM	-	280MM To 380MM																																														
1620.928-938	9MM	-	280MM To 380MM																																														
1620.1028-1038	10MM	-	280MM To 380MM																																														
( Difference of 10MM each )																																																	
11MM & ODD SIZES ARE ON 'ORDER TO MAKE BASIS'																																																	

<p><b>INTERLOCKING BOLTS</b></p>  <table style="width: 100%; margin-top: 20px;"> <thead> <tr> <th></th> <th style="text-align: center;">Dia</th> <th style="text-align: center;">-</th> <th style="text-align: center;">Length</th> </tr> </thead> <tbody> <tr> <td>1702.3922-3938</td> <td style="text-align: center;">3.9MM</td> <td style="text-align: center;">-</td> <td style="text-align: center;">22 TO 38MM ( Difference of 2MM each )</td> </tr> <tr> <td>1702.3940-3950</td> <td style="text-align: center;">3.9MM</td> <td style="text-align: center;">-</td> <td style="text-align: center;">40 TO 50MM ( Difference of 2MM each )</td> </tr> <tr> <td>1703.4922-4938</td> <td style="text-align: center;">4.9MM</td> <td style="text-align: center;">-</td> <td style="text-align: center;">22 TO 38MM ( Difference of 2MM each )</td> </tr> <tr> <td>1703.4940-4950</td> <td style="text-align: center;">4.9MM</td> <td style="text-align: center;">-</td> <td style="text-align: center;">40 TO 50MM ( Difference of 2MM each )</td> </tr> <tr> <td>1703.4952-4960</td> <td style="text-align: center;">4.9MM</td> <td style="text-align: center;">-</td> <td style="text-align: center;">52 TO 60MM ( Difference of 2MM each )</td> </tr> <tr> <td>1703.4964-4980</td> <td style="text-align: center;">4.9MM</td> <td style="text-align: center;">-</td> <td style="text-align: center;">64,68,72,76,80MM</td> </tr> <tr> <td>1703.4985-49100</td> <td style="text-align: center;">4.9MM</td> <td style="text-align: center;">-</td> <td style="text-align: center;">85,90,95,100MM</td> </tr> </tbody> </table>		Dia	-	Length	1702.3922-3938	3.9MM	-	22 TO 38MM ( Difference of 2MM each )	1702.3940-3950	3.9MM	-	40 TO 50MM ( Difference of 2MM each )	1703.4922-4938	4.9MM	-	22 TO 38MM ( Difference of 2MM each )	1703.4940-4950	4.9MM	-	40 TO 50MM ( Difference of 2MM each )	1703.4952-4960	4.9MM	-	52 TO 60MM ( Difference of 2MM each )	1703.4964-4980	4.9MM	-	64,68,72,76,80MM	1703.4985-49100	4.9MM	-	85,90,95,100MM	<p>1702 1703</p>
	Dia	-	Length																														
1702.3922-3938	3.9MM	-	22 TO 38MM ( Difference of 2MM each )																														
1702.3940-3950	3.9MM	-	40 TO 50MM ( Difference of 2MM each )																														
1703.4922-4938	4.9MM	-	22 TO 38MM ( Difference of 2MM each )																														
1703.4940-4950	4.9MM	-	40 TO 50MM ( Difference of 2MM each )																														
1703.4952-4960	4.9MM	-	52 TO 60MM ( Difference of 2MM each )																														
1703.4964-4980	4.9MM	-	64,68,72,76,80MM																														
1703.4985-49100	4.9MM	-	85,90,95,100MM																														

Doc. No.	Issue No/Rev No	Dated	Page No
YIPL/NL/06	01/00	27/01/2020	Page 3 of 20

## 2. Feature & Benefits

---



- Anatomic design for easier insertion and improved fit.
- Transverse locking holes to allow use of one nail in either left or right extremity.
- Threads for secure connection to insertion/extraction instruments.
- Crimping for the best interference fit in the medullary canal & easy insertion.
- Designed to prevent penetration of posterior cortex during insertion, and to glide easily through medullary canal.
- Featured with both dynamic & static transverse.
- Two transverse locking holes and additional locking hole distally anatomically correct bend and longer, flat proximal bend for easier insertion, better fit
- Beveled proximal end to prevent soft tissue irritation
- Wide range of available sizes: 8 mm to 10 mm diameters and 280 mm – 380 mm Length

Doc. No.	Issue No/Rev No	Dated	Page No
YIPL/NL/06	01/00	27/01/2020	Page 4 of 20

### 3. AO Principle

---

In 1958, the AO formulated four basic principles, which have become the guidelines for internal fixation:

1. Anatomic reduction: Fracture Reduction and fixation to restore anatomical relationships.
2. Stable fixation: Fracture fixation providing absolute or relative stability, as required by the patient, the injury, and the personality of the fracture.
3. Preservation of blood supply: Preservation of the blood supply to soft tissues and bone by gentle reduction techniques and careful handling.
4. Early, active mobilization: Early and Safe Mobilization and rehabilitation of the injured part and the patient as a whole.

Doc. No.	Issue No/Rev No	Dated	Page No
YIPL/NL/06	01/00	27/01/2020	Page 5 of 20

#### 4. Indications

---

- Tibial shaft as well as for metaphyseal.
- Distal 1/3 tibial fracture
- Proximal 1/3 tibial fracture

Doc. No.	Issue No/Rev No	Dated	Page No
YIPL/NL/06	01/00	27/01/2020	Page 6 of 20

## 5. Intended Purpose

---

The intended purpose of Interlocking Nail for tibia is to join and heal the fractures in tibia.

Doc. No.	Issue No/Rev No	Dated	Page No
YIPL/NL/06	01/00	27/01/2020	Page 7 of 20

## 6. Contraindications

---

- Since external fixation devices are often used in emergency situations to treat patients with acute injuries, there are no absolute contraindications for use. The surgeon's education, training and professional judgment must be relied upon to choose the most appropriate device and treatment for each individual patient. Whenever possible, the device chosen should be of a type indicated for the fracture being treated and/or for the procedure being utilized.
- Insufficient quantity or quality of bone which would inhibit appropriate fixation of the device.
- Compromised vascularity that would inhibit adequate blood supply to the fracture or operative site.
- Previous history of infections.
- Any neuromuscular deficit which could interfere with the patient's ability to limit weight bearing.
- Any neuromuscular deficit which places an unusually heavy load on the device during the healing period.
- Malignancy in the fracture area.
- Mental, physical or neurological conditions which may impair the patient's
- Ability to cooperate with the post-operative regimen.
- Patients with a compromised immune system.
- Pre-existing internal fixation that prohibits proper pin placement

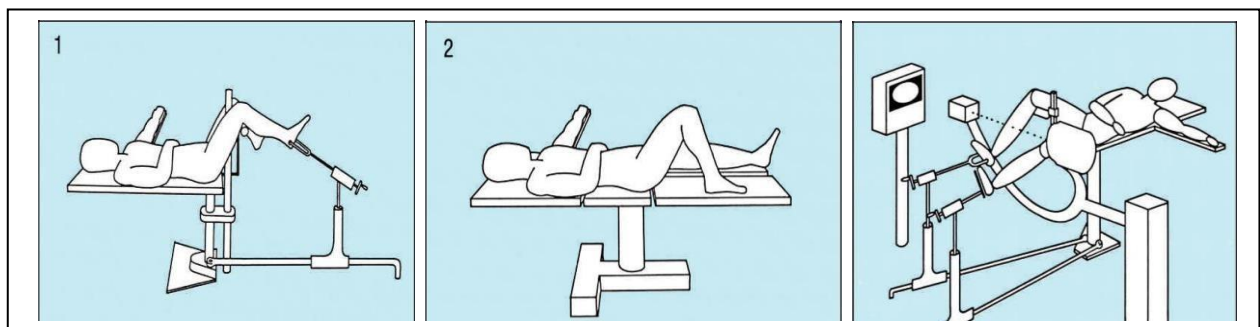
Doc. No.	Issue No/Rev No	Dated	Page No
YIPL/NL/06	01/00	27/01/2020	Page 8 of 20



## 7. Surgical Steps

- **Patient Positioning:**

- The fracture may be reduced using open or closed technique. Closed reduction is the preferred method, with the patient in the supine position on a fracture table or radiolucent operating table. An image intensifier is needed.
- The patient is placed in the supine position, with the injured leg flexed 90° at the knee. The foot of the injured leg is placed in a cushioned boot, or supported by a calcaneal traction pin. For distal locking, the calcaneal traction pin must be used since the shoe extends too far proximally. The uninjured leg is positioned to allow free movement of the image intensifier from the AP to the lateral plane. The foot is placed in a cushioned boot.



- The operating table must be radiolucent. The patient is placed in the supine position. The injured leg is positioned freely, with the knee flexed 90°. The uninjured leg is extended. The table should be adjusted to a comfortable operating height for the surgeon.
- **Use of the Image Intensifier**
- An image intensifier is required for both closed reduction and distal locking techniques. The image intensifier allows controlled viewing of the fracture zone for insertion of the reaming rod, medullary reamer heads and universal nail. Proper positioning of the image intensifier is extremely important for locating the distal locking holes. With the patient in the supine position, the radiation Source should be placed laterally to facilitate the aiming process, which is

Doc. No.	Issue No/Rev No	Dated	Page No
YIPL/NL/06	01/00	27/01/2020	Page 9 of 20

performed medially.

- **Finding of Entry point & medullary canal opening:**

- Selecting the proper entry point is important to prevent rotation of the nail during insertion the entry point should be over the midline of the medullary canal and as superior as possible without causing damage to the anterior edge of the tibia plate. After finding entry point, bone awl used to open medullary canal.

- **Curved Bone AWL**

**Proximal Reaming:**

Proximal Reamer is followed by guide wire which is used to reaming the proximal portion of nail. Ø13.0 mm proximal reamer is use for reaming. The holding forceps is used to control the guidewire.

I.L. GUIDE WIRE – 2.5 MM X 900 MM

- **Nail and insertion handling assembly**

After reaming proximal canal, nail is inserted in tibia bone. Curved jig is attached with nail with the use of conical bolt. For hammering purpose, force is applied by sliding the ram through extractor rod which pushes the jig so that nail can insert properly. Insertion Driving Head is an optional part locked with conical bolt which also used for hammering.



Doc. No.	Issue No/Rev No	Dated	Page No
YIPL/NL/06	01/00	27/01/2020	Page 10 of 20

- **Proximal locking**

Protection Sleeve 8.0 mm is passed through curved jig. With the use of pointer  $\varnothing 8.0\text{mm}$ , entry point of drill identified. Trocar is passed through protection sleeve. Then after Pointer is replaced by Drill Sleeve 4.0 mm which is guide the drill bit 4.0mm. Depth gauge is used to measure the drill length. With the help of long screw driver, 4.9mm locking bolt is inserting in proximal holes.



- Curved Jig
- Pointer
- Protection Sleeve 8 mm
- S.S. Drill Bit 4 Mm X 200 mm
- I.L Depth Guage 4.5 mm
- I.L Drill Sleeve 4 mm

**Distal Locking**

Protection Sleeve 8.0 mm is passed through distal jig. With the use of Pointer  $\varnothing 8.0\text{mm}$ , entry point of drill identified. Pointer is passed through protection sleeve. Then after Pointer is replaced by Drill Sleeve 3.2 mm which is guide the drill bit 3.2 mm. Depth gauge is used to measure the drill length. 3.9mm or 4.9mm locking bolt is inserting in proximal holes of nail through protection sleeve.

**End cap insertion**

End cap is inserted with the use of screw driver at proximal threaded portion of tibia NAIL.

- PROTECTION SLEEVE 8 MM
- I.L DRILL SLEEVE 3.2 MM
- S.S DRILL BIT 3.2 MM X 200 MM

Doc. No.	Issue No/Rev No	Dated	Page No
YIPL/NL/06	01/00	27/01/2020	Page 11 of 20

## **8. Implant Removal**

---

In case of implant removal firstly remove the end cap with help of hex screw driver. Proceed by removing both locking bolt from the bone using hex screw driver. Used extractor rod, handle for extractor & round hammer for nail removing. Assemble the rod, handle & round hammer & back hammer the nail for removing.

<b>Doc. No.</b>	<b>Issue No/Rev No</b>	<b>Dated</b>	<b>Page No</b>
YIPL/NL/06	01/00	27/01/2020	Page 12 of 20

## 9. Caution

---

**Used Implants:** Used implants which appear un-damaged may have internal and/or external defects. It is possible that individual stress analysis of each part fails to reveal the accumulated stress on the metals as a result of use within the body. This may lead ultimately to implant failure after certain point of time due to metal fatigue. Therefore, reuse of implants is strictly not recommended.

**Single Brand Usage:** Implant components from one manufacture should not be used with those of another. Implants from each manufacture may have metal, dimensions and design differences so that the use in conjunction with different brands of devices may lead to inadequate fixation or adverse performances of the devices

Doc. No.	Issue No/Rev No	Dated	Page No
YIPL/NL/06	01/00	27/01/2020	Page 13 of 20

## **10. Disposal of Implants**

---

Every used or removed implant must be discarded after use and must never be re-used. It should be bent or scratched & then disposed of properly so that it becomes unfit for reuse. While disposing it off, it should be ensured that the discarded implant does not pose any threat to children, stray animals and environment. Dispose of the implants as per applicable medical practices and local, state and country specific regulatory requirement of Bio Medical Waste rules.

<b>Doc. No.</b>	<b>Issue No/Rev No</b>	<b>Dated</b>	<b>Page No</b>
YIPL/NL/06	01/00	27/01/2020	Page 14 of 20

## **11. Packaging Material Disposal**

---

The packaging material of this device is made special packing material and therefore if swallowed, may cause choking Hazards. Therefore, it should be disposed of in such a way that keeps out of reach of children and stray animals.

<b>Doc. No.</b>	<b>Issue No/Rev No</b>	<b>Dated</b>	<b>Page No</b>
YIPL/NL/06	01/00	27/01/2020	Page 15 of 20

## 12. MRI Information

---

### IMPORTANT:

- Yogeshwar Implants (I) Pvt. Ltd. implants are manufactured from SS 316L and Titanium Grade 5 material both are non-magnetic material, hence it do not pose any safety risk.
- Patients should be directed to seek a medical opinion before entering potentially adverse environments that could affect the performance of the implants, such as electromagnetic or magnetic field or including a magnetic resonance environment.
- Doctor shall conduct a Risk Benefit Analysis before directing the patient to enter electromagnetic or magnetic fields or including a magnetic resonance environment.
- The Yogeshwar Implants (I) Pvt. Ltd. implants has not been evaluated for safety and compatibility in the MR environment but on the basis of literature study below mentioned points can be taken care during MRI
  - ✓ The minimum recommended time after the implantation that allows patients to safely undergo MRI examination or allowing the patient or an individual to enter the MRI environment is 6 (six) weeks.
  - ✓ The maximum recommended time limit for MRI examination in patients implanted with the evaluated device is 30 min with a scanner operating at 1.5T (Tesla) or less.

Doc. No.	Issue No/Rev No	Dated	Page No
YIPL/NL/06	01/00	27/01/2020	Page 16 of 20



### 13.Note










---

**This above surgical technique is also applicable interlocking nail for tibia & distal tibia nail- cannulated.**








Sr. No.	Code No.	Product Name
<b>1</b>	<b>1601</b>	<b>INTERLOCKING NAIL FOR TIBIA</b>
		Dia          Length
		8MM   -   280, 300, 320 , 340 , 360 , 380MM
		9MM   -   280, 300, 320 , 340 , 360 , 380MM
		10MM   -   280, 300, 320 , 340 , 360 , 380MM
<b>2</b>	<b>1620</b>	<b>DISTAL TIBIA NAIL - CANNULATED</b>
		Dia          Length
		8MM   -   280 to 380MM
		9MM   -   280 to 380MM
		10MM   -   280 to 380MM

Doc. No.	Issue No/Rev No	Dated	Page No
YIPL/NL/06	01/00	27/01/2020	Page 17 of 20

**INSTRUMENTS**

Name	Instrument
<b><u>CURVED JIG</u></b>	
<b><u>PROTECTION SLEEVE - 8 MM</u></b>	
<b><u>I.L.DRILL SLEEVE 3.2 MM</u></b>	
<b><u>I.L.DRILL SLEEVE 4 MM</u></b>	
<b><u>CONICAL BOLT 8-9 MM</u></b>	
<b><u>CONICAL BOLT 10-13 MM</u></b>	
<b><u>CURVED BONE AWL</u></b>	
<b><u>S.S.DRILL BIT 3.2 MM X 200 MM</u></b> <b><u>S.S.DRILL BIT 4 MM X 200 MM</u></b>	
<b><u>DEPTH GUAGE</u></b>	

Doc. No.	Issue No/Rev No	Dated	Page No
YIPL/NL/06	01/00	27/01/2020	Page 18 of 20

<b><u>EXTRACTOR ROD</u></b>	
<b><u>HANDLE FOR EXTRACTOR</u></b>	
<b><u>ROUND HAMMER</u></b>	
<b><u>SOCKET WRENCH-10 MM</u></b>	
<b><u>SOLAPUR SLEEVE -PLAIN</u></b>	
<b><u>HEAD FOR INTRODUCER</u></b>	
<b><u>I.L. GUIDE WIRE- 2.5 MM X 900 MM</u></b>	

Doc. No.	Issue No/Rev No	Dated	Page No
YIPL/NL/06	01/00	27/01/2020	Page 19 of 20

**Yogeshwar Implants (I) Pvt. Ltd.**

Sr. No. 91 HISSA No. 1, "AR" building,  
Shobhana Complex, Rajlaxmi Compound,  
Kalher Village, Tal. Bhiwandi, Thane – 421302, INDIA

**E-mail:** sales@yogeshwarimplants.com

**Contact No:** +91-9323927102

**Website:** www.yogeshwarimplants.com

Doc. No.	Issue No/Rev No	Dated	Page No
YIPL/NL/06	01/00	27/01/2020	Page 20 of 20